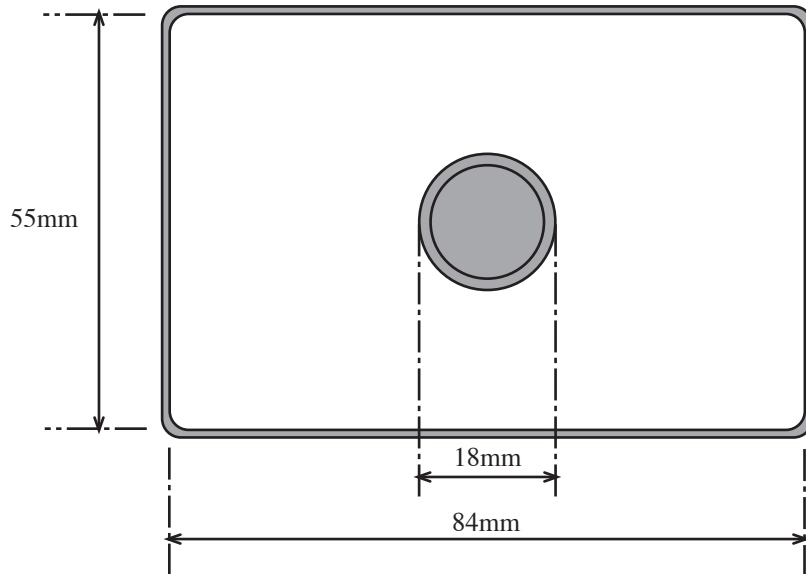


Key:  
Non printable areas  
[Grey bar]

Template: CD-UK\_Business\_Card\_CD\_Rom\_Screen  
Print Area Specification: - Issue 1 - Date 27/10/2003  
Customer:  
Catalogue No.:  
Job Title :

COLOURS  
CYAN  
MAGENTA  
YELLOW  
BLACK



**Colours**  
1st thro. 5th

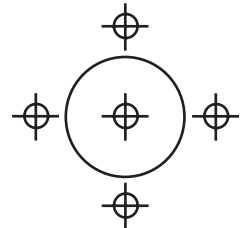
Screen print

**Screen Print Film Requirements (Colours 1 to 5)**

Positive films	No keylines to show
Right reading	No bleed allowed
Emulsion up	Colour separated and identified
Registration and crop marks required	

100 Lpi Solid areas + Text  
133 Lpi Detail tone areas

**Registration Mark Set-Up**



**Image**  
One to view

**Proofing**  
Colour proof or sample required